



SUBARU

Confidence in Motion

SUBARU **XV**

e-BOXER





SUV CAPABILITY. HYBRID PERFORMANCE.

Introducing XV e-BOXER, the first generation of SUBARU's self-charging hybrid SUV range.

XV e-BOXER combines an electric motor and a 2.0L e-BOXER petrol engine. Additional power from a compact, lightweight Lithium-ion battery enhances driving responsiveness, refinement and terrain-gripping torque. There's no need to plug in to recharge: the petrol engine charges the battery whilst you drive. Power assistance from the electric motor – Motor Assist – is completely automatic. It works seamlessly with the e-BOXER engine to give you a smoother, more efficient and rewarding drive.

Built on the SUBARU Global Platform, XV enjoys SUBARU's latest advanced driver assistance systems and passenger safety technologies, including EyeSight driver assistance. SUBARU's permanent Symmetrical All-Wheel Drive with X-MODE ensures go-anywhere capability. Expect surefooted handling and all-weather grip. Rugged reliability is in SUBARU's DNA. You'll experience it in XV mile after mile.

The XV e-BOXER self-charging hybrid. Explore a new world.



CITY STYLE THAT'S COUNTRY CAPABLE.

The SUBARU XV is always up for a challenge – so it's engineered to give you confidence at the wheel. Its high driving position ensures excellent visibility, whilst permanent Symmetrical All-Wheel Drive and a high ground clearance fearlessly conquer rough roads. Extra assistance from the electric motor, alongside X-MODE, makes negotiating steep inclines and descents effortless. Choose your destination for the weekend: XV will get you there safely and comfortably.



01

01. X-MODE ENGAGED

X-MODE gives you reliable control at the push of a button, taking command of the engine, transmission, Symmetrical AWD, brakes, and other components to help you navigate through challenging conditions and varying terrain. Select [SNOW/DIRT] mode for slippery surfaces covered with snow, dirt, or gravel, or [D.SNOW/MUD] mode for especially treacherous road conditions where vehicles can become stuck, such as deep snow, mud, or dry dirt. When X-MODE is activated, Hill Descent Control automatically maintains a constant speed when travelling downhill: all you have to do is steer.



02

02. SI-DRIVE

To support your driving style, SUBARU Intelligent Drive (SI-DRIVE) can adjust the throttle and gear-shifting response to give you immediate power and agility on demand. Select Sport Mode for immediate throttle response, ideal for enjoying winding roads, or Intelligent Mode for more fuel-efficient power delivery around town or on long journeys.

LOAD UP. SET OFF.

EXPLORE AND ENJOY.

For outdoor sports and hobbies, or weekends away, a vehicle must be spacious and versatile. XV offers ample storage capacity so you can bring all your kit and baggage along. Wherever your plans take you, XV is ready.



SMART STORAGE SOLUTIONS

XV offers ample, flexible storage. The wide, large boot opening makes loading and unloading easy, whilst 60/40 split rear folding seats quickly create even more flexible space. For larger items, there are easy-to-use roof rails.*

*Requires purchase of optional accessory attachments to carry items on the longitudinal roof rails.
E & O.E.



DETAILS MAKE THE DIFFERENCE.

Open the doors of the XV and you can't fail to notice the refined, sporty styling. The cabin is welcoming, spacious and well-equipped. Contoured seats provide you and your passengers with luxurious support to keep everyone comfortable, even on the longest rides.

01. POWER-SLIDING, TILT ADJUSTABLE SUNROOF*

In fine weather, it's easy to connect with the great outdoors. The sunroof quickly opens to allow daylight to flood into the cabin in seconds.



02. ORANGE SEAT STITCHING

The ultra-comfortable contoured seats, upholstered in cloth or leather*, feature distinctive orange stitching – yet another detail that adds to XV's finesse.



02

03. REAR SEAT CENTRE ARMREST

The interior of the XV offers comfort for all passengers, with cup holders in the rear seat centre armrest.

*Available on Premium models only.
E & O.E.





STAY IN TOUCH. FEEL CONNECTED.

XV is equipped with a next-generation infotainment system that keeps you connected wherever you go. The 8" multi-function colour touchscreen provides intuitive access to navigation^{*1}, connected devices and audio sources, whilst the multi-information display provides key vehicle stats. These displays all improve convenience, safety, and enjoyment. In touch and in control – that's how you'll always feel inside XV.



01



02



03



04



05

01. APPLE CARPLAY™ AND ANDROID AUTO™*2

Apple CarPlay™ and Android Auto™ mirror compatible apps from your smartphone onto XV's touchscreen, allowing you to make phone calls and dictate text messages hands-free, reducing distractions when you're on the road³.

02. MULTI-INFORMATION DISPLAY

The 4.3" LCD multi-information display at the top of the instrument panel provides you with useful information, including the use of petrol engine, electric motor or combination hybrid power, in an easy-to-understand view. When the navigation system¹ is in use, it connects to the multi-information display and shows turn-by-turn information.

03. INSTRUMENT PANEL

The full-colour LCD meter display helps you understand useful driving information at a glance so you can keep your eyes on the road.

04. REVERSING CAMERA

When you engage reverse gear, the reversing camera displays a live colour image along with guidelines to assist in parking manoeuvres.

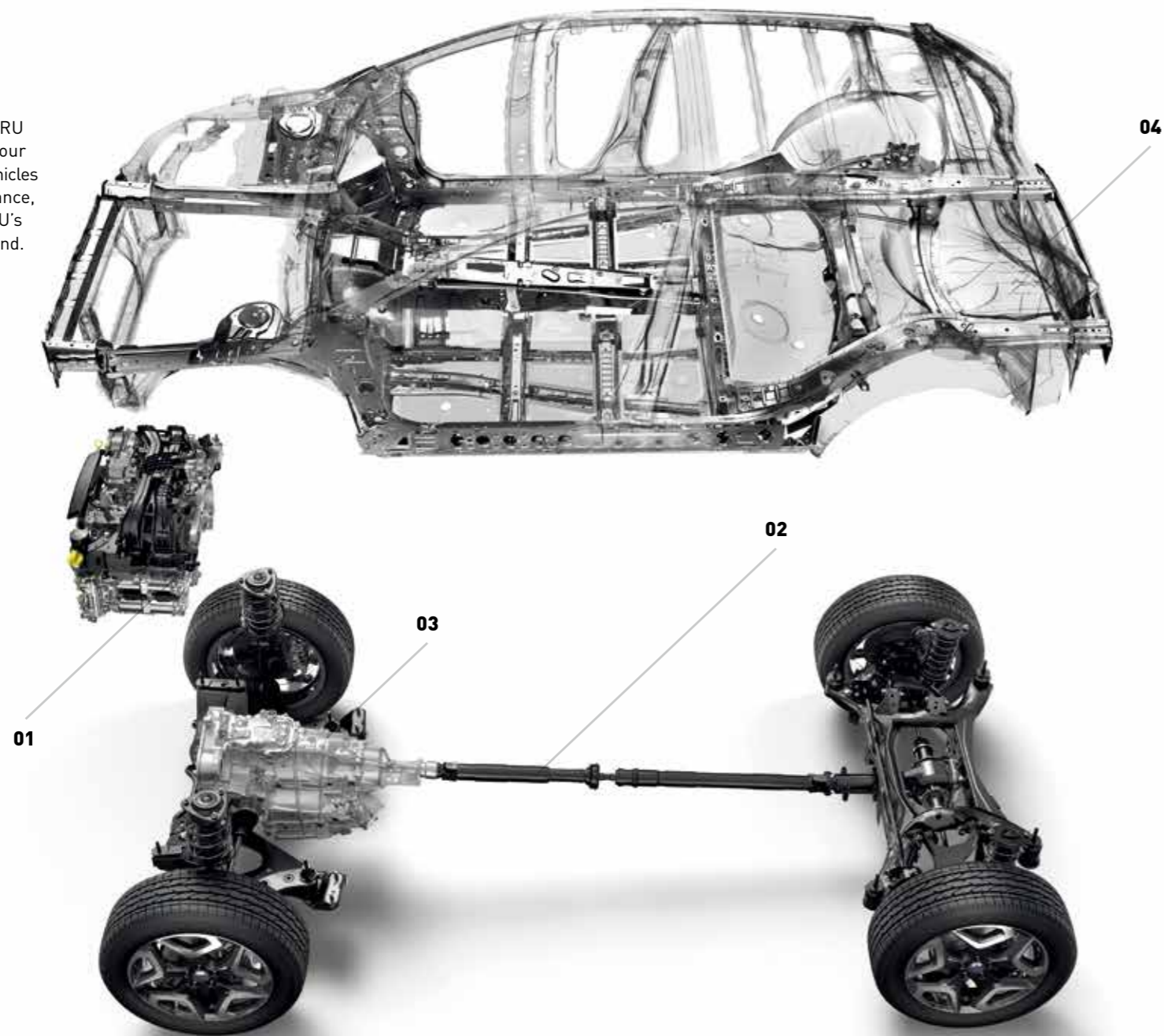
05. FRONT VIEW MONITOR

The front grille camera monitors a 180° area in front of the vehicle that would usually be in the driver's blind spot. These images are displayed on the multi-information display to aid manoeuvring at junctions or when parking against a wall.

^{*1} Available on Premium models only.
^{*2} Driver is responsible for safe driving. Please refrain from operating the touchscreen while driving.
^{*3} This functionality uses your smartphone's data.
 E & O.E.

SUBARU CORE TECHNOLOGY.

SUBARU's core technologies define what makes a SUBARU a SUBARU – and the unique driving experience that only our vehicles can provide. These core systems enable SUBARU vehicles to live up to the brand's exceptional standards of performance, comfort, safety, and reliability. They also underpin SUBARU's promise to deliver both driving enjoyment and peace of mind.



01 BOXER ENGINE

The horizontally-opposed configuration of the SUBARU Boxer engine places pistons 180 degrees apart for a lower, flatter profile than other engine types. One of the main benefits of this configuration is that the pistons' movements naturally counteract each other, helping to reduce vibration and noise and delivering a smoother driving experience. The engine's shape and unique piston movement allow it to be installed lower down and further back than a conventional engine, giving the whole car a low centre of gravity and balanced weight distribution for exceptional handling and poise.

03 LINEARTRONIC + ACTIVE TORQUE SPLIT AWD

SUBARU Lineartronic is a Continuously Variable Transmission that moves between a span of gear ratios to provide smooth acceleration while keeping the engine at its optimal rev range. Lineartronic works particularly well with Symmetrical AWD as it preserves momentum that is often lost during gear changes on a manual or traditional automatic transmission. When the clutch pedal is depressed on a manual or the lock up clutch is released on a normal automatic, you break power to the wheels causing them to slow and lose performance.

A PERFECTLY-BALANCED CONFIGURATION

The design, shape and position of the Boxer engine results in the car having a very balanced weight distribution. This contributes to the car's excellent handling and offers increased stability compared to V or transverse engine types.

The Boxer engine, with its unique configuration, sits low in the chassis and is located further back allowing engine weight to be more evenly distributed over all four wheels.

02 SYMMETRICAL ALL-WHEEL DRIVE

SUBARU's permanent Symmetrical AWD maximises handling and enhances control on all roads in almost any conditions. Unlike any other all-wheel drive configuration, the engine, transmission and propshaft are positioned in a symmetrical straight-line layout which provides a direct route for traction and delivers a maximum transfer of power to all four wheels at all times. The driveshafts are similar lengths, reducing torque steer and eliminating the need for additional controls or weights to be added as the symmetrical design is inherently stable, producing natural balance and performance for a safer ride.

In contrast, Lineartronic helps to maintain traction by continuously providing power to the wheels at all times. Lineartronic is paired with Active Torque Split AWD which controls torque distribution between the front and back wheels. Normal torque split is set to 60% at the front and 40% to the rear. However, sensors constantly monitor changes in grip, vehicle speed and stability of the car and will in real time adjust the torque to each wheel, maintaining optimum grip, if more demanding conditions are identified.

In contrast, V and transverse engine positioning is restricted by the bulkhead. They have to sit further forward, compromising the vehicle's balance and stability.

In addition, V-type engine weight is positioned above the wheel line making it top heavy. Transverse engine weight is positioned above the wheel line and is also heavier on one side. Boxer engine weight is positioned centrally in line with the wheels, making a rigid structure that is resistant to side to side motion and body roll when cornering.

04 SUBARU GLOBAL PLATFORM

SUBARU Global Platform underpins the next generation of SUBARU vehicles. Enhancing all-around safety and performance, it offers a driving experience you can only find in a SUBARU. It's the future of SUBARU – and delivers even more enjoyment and peace of mind to all drivers and passengers.

1. IMPROVED SAFETY PERFORMANCE

Body strength is increased by 40%. In the event of a collision, the frame can absorb and safely dissipate more energy. The new frame design also improves energy dispersal, directing more energy safely beneath the seating compartment.

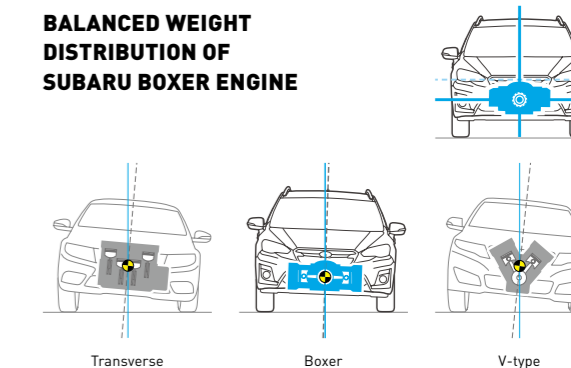
2. BETTER STABILITY AND HANDLING

By increasing rigidity of the body, front suspension and rear subframe, XV has enhanced straight-line stability and minimal body roll. More responsive handling allows the driver to better steer the car as intended and improves hazard avoidance.

3. ENHANCED RIDE QUALITY

Vibrations and noise are minimised to improve passenger comfort. Suspension improvements and a highly rigid chassis provide a quiet, comfortable journey for all.

BALANCED WEIGHT DISTRIBUTION OF SUBARU BOXER ENGINE





SUBARU e-BOXER.

The SUBARU e-BOXER combines the SUBARU Boxer engine with an electric motor, creating a spirited driving experience.

Reduced engine noise and vibration in the cabin, even on rough roads. More responsive, with instantaneous acceleration and terrain-gripping torque. Exceptionally smooth and refined, e-BOXER offers SUBARU's best ride quality yet.



MOTOR ASSIST SYSTEM INDICATOR

Taking off, light-load driving:
EV Driving



Medium-load driving:
Motor Assist Driving



High-load driving:
Engine Driving



Deceleration:
Regeneration



SUBARU BOXER ENGINE + ELECTRIC TECHNOLOGY

For efficient driving, the SUBARU e-BOXER system adjusts the power-split ratio between the 2.0-litre direct-injection engine and the electric motor to match the driving conditions. When paired with Lineartronic, the result is quiet, smooth, powerful performance – and a rewarding drive.

MORE RESPONSIVE ACCELERATION. GREATER TORQUE.

When pulling away, or in slow traffic, the electric motor alone does all the heavy lifting. Whilst at cruising speed, the e-BOXER petrol engine drives the car – but also recharges the battery. When accelerating or under load, both the engine and the motor provide power together. Assistance from the electric motor is completely automatic, working seamlessly with the e-BOXER engine.

ENHANCED HANDLING. REASSURING STABILITY.

The placement of the motor, engine and battery along the vehicle's centreline, low to the ground, complements the vehicle's already excellent stability. The low centre of gravity and balanced vehicle weight distribution further enhances SUBARU's Symmetrical AWD design.

ALL-WHEEL DRIVE. GO-ANYWHERE CAPABILITY.

XV makes the most of SUBARU's superior All-Wheel Drive capabilities. When negotiating challenging tracks or slopes, the electric Motor Assist enhances torque response. You can climb inclines smoothly without stepping hard on the accelerator.

SUBARU ALL-ROUND SAFETY.

When your car gives you peace of mind, life becomes more enjoyable. That's why at SUBARU, safety comes first. SUBARU Corporation has announced its vision to eliminate traffic accident deaths involving SUBARU vehicles by 2030. This commitment can be seen in SUBARU's advanced collision avoidance systems, and unique technologies such as SUBARU's Global Platform and Symmetrical All-Wheel Drive. We continuously strive to improve the all-around safety of our vehicles to build a future that is accident-free. Our vision of 'Safety First' is built around four pillars of protection:

PRIMARY

Primary Safety begins at the underlying design stage. It includes blind spot minimisation, optimum driving position, an adjustable driver's seat and an intuitive interface designed to reduce distractions.

ACTIVE

Active Safety refines all the basic functions of a car – driving, turning and stopping – to allow precise control. Examples include SUBARU's Symmetrical All-Wheel Drive, Hill-start Assist, Vehicle Dynamics Control and Electric Brake-force Distribution.

PASSIVE

Passive Safety aims to protect passengers in the event of a collision, with features like the Ring-Shaped Reinforcement Framed body or the cabin-protecting engine layout.

PREVENTIVE

Preventative Safety is about helping to avoid collisions before they happen. Our advanced safety technologies include EyeSight^{**}, SUBARU Rear Vehicle Detection, Side View Monitor, High Beam Assist, Steering Responsive Headlights and an Emergency Stop Signal.



01. PASSIVE

RING-SHAPED REINFORCEMENT FRAME

The Ring-shaped Reinforcement Frame makes better use of high-tensile steel panels and has been structurally redesigned for more efficient energy absorption from impacts in all directions.

03. PASSIVE

SRS AIRBAGS^{**2}

Front SRS airbags, front side SRS airbags, curtain SRS airbags, and a knee SRS airbag are standard on XV to give all passengers a higher level of protection in the event of a collision.



02. PASSIVE

CABIN-PROTECTING LAYOUT

In the event of a collision, the low-mounted engine and gearbox are designed to both absorb the impact and drop safely below the passenger compartment, protecting occupants' legs. To allow for this movement, the cradle securing the engine is engineered to collapse, allowing the engine to slide downwards.

04. PRIMARY

VISIBILITY

Optimal driving position, window heights, and carefully arranged pillars provide excellent visibility in all directions to reduce blind spots, letting you easily check your surroundings.



05. PREVENTATIVE

SUBARU REAR VEHICLE DETECTION^{**3}

SUBARU Rear Vehicle Detection (SRVD) includes Blind Spot Monitoring, Lane Change Assist & Rear Cross Traffic Alert. Sensors placed at the rear of the vehicle alert you to vehicles in your blind spots for safer lane changes and can also warn you of potential collision danger when reversing out of a parking space.

08. PREVENTATIVE

HIGH BEAM ASSIST^{**3}

High Beam Assist (HBA) increases visibility and safety when driving at night by automatically toggling the high beams on and off when oncoming traffic is detected.



06. PREVENTATIVE

LED STEERING RESPONSIVE HEADLIGHTS

Powered by LEDs, these bi-functional headlights combine low and high beams and are steering-responsive, ensuring good visibility around corners at night.

09. ACTIVE

VEHICLE DYNAMICS CONTROL SYSTEM + ACTIVE TORQUE VECTORING

If the vehicle approaches the limits of stability while cornering or avoiding an obstacle, Vehicle Dynamics Control (VDC) sensors adjust the AWD torque distribution, engine output and brakes at each wheel to help keep the vehicle on course. When cornering, Active Torque Vectoring also applies the brakes, delivering less torque to the inside wheels and more torque to the outside wheels, enhancing handling.



07. PREVENTATIVE

REVERSE AUTOMATIC BRAKING^{**3}

When in reverse, this system uses four sensors on the rear bumper to detect obstructions behind the vehicle. If detected, the system can alert the driver with warning sounds and automatically apply the brakes to avoid a collision or reduce collision damage.

10. ACTIVE

AUTO VEHICLE HOLD

When the vehicle is at a complete stop, Auto Vehicle Hold keeps the vehicle in place even when the brake pedal is released, which is especially useful in stop-start traffic.

^{**1} EyeSight is a driving support system which may not operate optimally under all driving conditions. The driver is always responsible for safe and attentive driving and observance of traffic regulations. See Owner's Manual for complete details on system operation and limitations for EyeSight, including functions in this brochure.

^{**2} SRS: Supplemental Restraint System. Must be used with seatbelts.

^{**3} The driver is always responsible for safe and attentive driving and observance of traffic regulations. Please do not depend solely on SUBARU Rear Vehicle Detection, High Beam Assist or Reverse Automatic Braking for safe driving. There are limitations to the recognition features of these systems. See Owner's Manual for complete details on system operation and limitations. Images for illustration purposes only. Not UK specification. E & O.E.

SUBARU EYESIGHT DRIVER ASSIST TECHNOLOGY.

At SUBARU, we believe in all-around safety. An important part of that is pre-collision safety: making every effort to ensure an accident never happens. That's why we created EyeSight*, SUBARU's cutting-edge driving support system. Like a second pair of eyes for the road ahead, EyeSight uses two stereo cameras capturing three-dimensional colour images with excellent image recognition, nearly as capable as the human eye. More accurate than traditional

camera and sensor technologies, EyeSight uses images from both cameras to precisely determine shape, speed and distance, meaning it not only detects vehicles but also motorbikes, bicycles and pedestrians. When a potential hazard is identified, it warns the driver and even applies the brakes if necessary, to help avoid an accident. With excellent safety performance, EyeSight gives the driver ultimate peace of mind.



DRIVER ASSIST



01. ADAPTIVE CRUISE CONTROL

Adaptive Cruise Control allows the driver to set vehicle speed and distance to the car in front. It constantly monitors distance and speed then adjusts the engine, transmission and brakes accordingly to maintain speed in line with the traffic flow. Designed for use on motorways and similar roads, Adaptive Cruise Control improves driver comfort and convenience on long drives.

02. LANE KEEP ASSIST

Lane Keep Assist will offer gentle steering control if the vehicle is about to deviate from its lane at approximately 40 mph or above.

03. LEAD VEHICLE START ALERT

It's easy to become distracted when waiting in stationary traffic. EyeSight will prompt the driver to notice that vehicles in front have started moving again with a buzzer and a flashing indicator.

04. LANE SWAY AND DEPARTURE WARNING

Lane Sway and Departure Warning will alert the driver with a visual and audible warning if the vehicle sways or departs its lane without indicating.

ACCIDENT PREVENTION



05. PRE-COLLISION BRAKING SYSTEM

Pre-collision Braking System activates visual and audible warnings to alert the driver of a potential collision. If the driver fails to take evasive action, the brakes will be applied automatically to either prevent an accident entirely or reduce the severity of an impact depending on speed. If the driver brakes but does not apply enough pressure, the system will increase braking force.

06. PRE-COLLISION THROTTLE MANAGEMENT

If the car is parked facing an obstacle, EyeSight will give the driver a visual and audible warning if they accidentally select drive instead of reverse. The system will also cut engine output to help avoid a frontal collision.

*EyeSight is a driving support system which may not operate optimally under all driving conditions or for all objects. The driver is always responsible for safe and attentive driving and observance of traffic regulations. See Owner's Manual for complete details on system operation and limitations for EyeSight including functions in this brochure. E & O.E.

LINEUP

XV E-BOXER 2.0i SE LINEARTRONIC

DIMENSIONS L x W x H: 4465 x 1800 (excl. mirrors) x 1615 mm
ENGINE Horizontally opposed, 4-cylinder, 2.0L DOHC 16-valve + Motor
CAPACITY..... 1995 cc
MAX OUTPUT..... 150 PS @ 5600 - 6000 rpm
MAX TORQUE..... 194 Nm @ 4000 rpm
TRANSMISSION..... Lineartronic, AWD
DRIVE TYPE Permanent Symmetrical All-Wheel Drive (AWD)



Plasma Yellow Pearl

XV E-BOXER 2.0i SE PREMIUM LINEARTRONIC

DIMENSIONS L x W x H: 4465 x 1800 (excl. mirrors) x 1615 mm
ENGINE Horizontally opposed, 4-cylinder, 2.0L DOHC 16-valve + Motor
CAPACITY..... 1995 cc
MAX OUTPUT..... 150 PS @ 5600 - 6000 rpm
MAX TORQUE..... 194 Nm @ 4000 rpm
TRANSMISSION..... Lineartronic, AWD
DRIVE TYPE Permanent Symmetrical All-Wheel Drive (AWD)



Lagoon Blue Pearl





01



03



04



02



01. LED STEERING RESPONSIVE HEADLIGHTS

Powered by LEDs, these bi-functional headlights combine low and high beams and are steering-responsive, ensuring good visibility around corners at night.

02. 18" ALUMINIUM-ALLOY WHEELS

You'll immediately tell the XV apart from any other vehicle by its distinctive wheel design. These durable and lightweight wheels showcase XV's powerful, lively, and unique personality.

03. LED FRONT FOG LAMPS

These LED fog lamps have inner reflective surfaces that offer enhanced visibility and improved safety during night time driving.

04. KEYLESS ENTRY AND PUSH-BUTTON START SYSTEM

With the key fob in your possession, you can unlock the front doors or boot by just gripping the handle and start the engine with a push of a button.



05



06

05. ROOF RAILS*

Roof rails on the XV make light work of carrying bulky loads.

06. ELECTRONIC PARKING BRAKE (EPB)

One touch effortlessly engages the electronic parking brake. On acceleration, the brake automatically releases.

07. DUAL-ZONE AUTOMATIC AIR-CONDITIONING SYSTEM

The air-conditioning system distributes air efficiently for a comfortable cabin in any weather. Both driver and front passenger can independently set their preferred temperature.

08. DUAL USB PORTS AND AUXILIARY AUDIO INPUT JACK

Keep all your electronic devices fully charged with easily-accessed USB power ports for both front and rear passengers. Connect just about any music player through the aux-in jack to play your favourite songs through the audio system.

*Requires purchase of optional accessory attachments to carry items on the longitudinal roof rails. E & O.E.



07



08

EXTERIOR COLOURS



Crystal White Pearl



Ice Silver Metallic



Cool Grey Khaki



Magnetite Grey Metallic



Crystal Black Silica



Pure Red



Lagoon Blue Pearl



Horizon Blue Pearl



Dark Blue Pearl



Plasma Yellow Pearl

SEAT MATERIALS

Fabric^{*1}



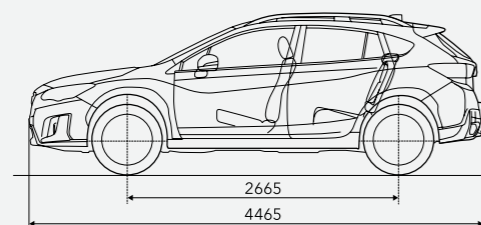
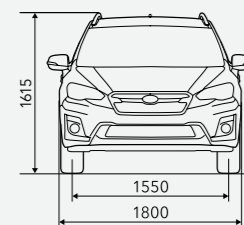
Leather^{*2}



^{*1} Available on SE models only.
^{*2} Available on Premium models only.
E & O.E.

DIMENSIONS

Dimensions are measured in accordance with standard measurement of SUBARU CORPORATION.



ACCESSORIES

PERSONALISE YOUR RIDE.

While every XV comes generously equipped, SUBARU accessories are the perfect way to tailor your SUBARU to your life and your style. Whether you want to add convenience, enhance functionality, or personalise your XV's appearance, SUBARU accessories are designed to provide the same fit and quality as your SUBARU vehicle. For more details, ask for the accessory brochure or visit your nearest SUBARU retailer.



Side Sill Plate



Front Resin Underguard



Side Resin Underguard



Rear Resin Underguard



Roof Box 430 Silver



Carpet Mat Premium

SUBARU DIGITAL EXPERIENCE



DISCOVER SUBARU.

Want to arrange a test drive? After the latest information on the SUBARU XV or other SUBARU models? Looking for your nearest showroom? Simply get in touch...



SUBARU

Confidence in Motion

Visit the SUBARU UK website for the latest information about the SUBARU range.

subaru.co.uk



Subscribe to our channel to see the latest SUBARU videos.

youtube.com/officialsubaruuk



Stay connected with the SUBARU UK community and be the first to hear the latest news directly from SUBARU.

facebook.com/OfficialSubaruUK
twitter.com/subaruuk

STANDARD FEATURES

ITEM	PERMANENT SYMMETRICAL AWD (ALL-WHEEL DRIVE)	
	2.0i SE LINEARTRONIC	2.0i SE PREMIUM LINEARTRONIC
	AUTOMATIC TRANSMISSION: LINEARTRONIC®	
EXTERIOR		
Automatic LED Headlights	•	•
Steering Responsive Headlights	•	•
High Beam Assist	•	•
Daytime Running Lights	•	•
Automatic Rain Sensing Windscreen Wipers	•	•
Pop-Up Type Headlight Washers	•	•
Front LED Fog Lights	•	•
Rear Fog Lights	•	•
Power-Folding Door Mirrors with Built-In LED Indicators	•	•
UV Protection Glass: Windscreen, Front & Rear Side Windows	•	•
Privacy Glass for Rear Doors, Rear Quarters & Rear Window	•	•
18" Alloy Wheels	•	•
Wheel Arch Cladding	•	•
Sunroof - Power Sliding & Tilt-Adjustable	-	•
Roof Rails	•	•
Roof Spoiler	•	•
Shark Fin Antenna	•	•
SEATING & TRIM		
Leather Wrapped Steering Wheel & Gearshift Knob	•	•
Fabric Seats	•	-
Leather Seats	-	•
6-Way Manually Adjustable Driver's Seat	•	-
8-Way Power Adjustable Driver's Seat	-	•
4-Way Manually Adjustable Passenger's Seat	•	•
Heated Front Seats	•	•
60/40 Split Folding Rear Seats	•	•
Aluminum Pedals	•	•
COMFORT & CONVENIENCE		
Power Windows ¹	•	•
Remote Control Central Locking	•	•
Keyless Entry & Push Button Start System	•	•
Electric Parking Brake	•	•
Map Lights	•	•
Illuminated Vanity Mirrors (Driver & Front Passenger)	•	•
Centre Console Box	•	•
Front Cup Holders (Centre Console)	•	•
Door Pockets with Bottle Holders (All Doors)	•	•
Fuel Lid Lock Release	•	•
Two 12 Volt Power Outlets (Instrument Panel & Centre Console Box)	•	•
Boot Hooks	•	•
Luggage Hooks	•	•
Retractable Parcel Shelf	•	•
CLIMATE CONTROL		
Dual-Zone Automatic Air-Conditioning System with Anti-Dust Filter	•	•
Windscreen Wiper De-Icer	•	•
Heated Door Mirrors	•	•
Heated Rear Window with Timer	•	•
CONTROLS & INSTRUMENTS		
4.3" LCD Multi-Information Display ²	•	•
Tilt-Adjustable / Telescopic Steering Wheel	•	•
Paddle Shift	•	•

¹ Driver and front passenger windows have auto up/down function with pinch protection.

² Displays: fuel economy screen, eco-evaluation screen, driving condition, clock with outside temperature and maintenance information etc.

ITEM	PERMANENT SYMMETRICAL AWD (ALL-WHEEL DRIVE)	
	2.0i SE LINEARTRONIC	2.0i SE PREMIUM LINEARTRONIC
	AUTOMATIC TRANSMISSION: LINEARTRONIC®	
ENTERTAINMENT		
SUBARU Infotainment & Audio System: 1 CD & 6 Speakers	•	•
8" Multi-function Colour Touchscreen	•	•
Apple CarPlay™ & Android Auto™	•	•
DAB Radio	•	•
Satellite Navigation	-	•
Voice Recognition System	•	•
Steering Wheel Mounted Audio & Cruise Controls	•	•
Bluetooth®	•	•
USB Ports & Auxiliary Audio Input Jack	•	•
DRIVABILITY		
Stop & Start System ³	•	•
SI-Drive (SUBARU Intelligent Drive) ⁴	•	•
X-MODE (two-modes) & Hill Descent Control	•	•
Vehicle Dynamics Control System	•	•
Auto Vehicle Hold (AVH)	•	•
SAFETY & SECURITY		
EyeSight - includes: - Adaptive Cruise Control - Pre-Collision Braking - Pre-Collision Throttle Management - Lane Sway and Departure Warning - Lane Keep Assist - Lead Vehicle Start Alert	•	•
SUBARU Rear Vehicle Detection (SRVD) - includes: - Blind Spot Monitoring - Lane Change Assist - Rear Cross Traffic Alert	•	•
Front View Monitor	•	•
Reversing Camera	•	•
Reverse Automatic Braking	•	•
Front SRS ⁵ Airbags	•	•
Front Side SRS ⁵ Airbags (Driver & Front Passenger)	•	•
Curtain SRS ⁵ Airbags	•	•
Knee SRS ⁵ Airbags	•	•
Auto Dimming Rear View Mirror	•	•
Tyre Pressure Monitoring System	•	•
Side Door Reinforcement Beams	•	•
Steering Column Support Beam	•	•
Rear Seat Headrests for 3 Seating Positions	•	•
Whiplash Reducing Front Seats	•	•
Seatbelt Indicator (Driver & All Passengers)	•	•
Height Adjustable Front Seatbelts with Pretensioners & Load Limiters	•	•
Rear 3-Point Seatbelts for 3 Seating Positions	•	•
Safety Pedal System	•	•
ABS (Anti-lock Braking System) with EBF ⁶ (Electronic Brake Force Distribution)	•	•
Brake Assist System	•	•
Brake Override	•	•
ISOFIX Adapted Child Seat Anchors (with Tether Anchors)	•	•
Child-Proof Rear Door Locking	•	•
Thatcham Cat 1 Alarm System & Immobiliser	•	•
Tyre Repair Kit	•	•

³ The Stop & Start system will automatically stop and restart the engine when the car comes to a standstill to reduce fuel consumption and emissions.

⁴ Two available SI-Drive modes: Intelligent mode & Sport mode.

⁵ SRS: Supplemental Restraint System. Must be used in conjunction with seatbelts. E & O.E.

SPECIFICATIONS

ITEM	PERMANENT SYMMETRICAL AWD (ALL-WHEEL DRIVE)	
	2.0i SE / 2.0i SE PREMIUM	
	AUTOMATIC TRANSMISSION: LINEARTRONIC®	
ENGINE		
Type	Horizontally-Opposed, 4-Cylinder, 4-Stroke, Petrol Engine	
Traction Battery	Lithium-ion	
Bore/Stroke	mm	84.0 X 90.0
Capacity	cc	1,995
Compression Ratio	12.5	
Fuel System	Direct Fuel Injection	
Fuel Tank Capacity (approx.)	lit.	48
PERFORMANCE		
Net Power	PS @ rpm	150 @ 5,600 - 6,000
Torque	Nm @ rpm	194 @ 4,000
Max. Speed	mph	120
Acceleration (0-62 mph)	sec.	10.7
Fuel Consumption ¹¹ (WLTP)	Low	mpg 32.7
	Mid	mpg 37.9
	High	mpg 43.0
	Extra-High	mpg 31.2
	Combined	mpg 35.7
	Combined - WLTP	g/km 180
CO ₂ Emissions ¹¹	g/km 180	
DIMENSIONS & WEIGHT		
Overall Length	mm	4,465
Overall Width (Excluding Mirrors)	mm	1,800
Overall Height (Including Roof Rails)	mm	1,615
Wheelbase	mm	2,665
Track	Front	mm 1,550
	Rear	mm 1,555
Ground Clearance (At Kerb Weight)	mm	220
Boot Volume ¹²	Seats Up	lit. 340
	Seats Folded	lit. 765
	Seats Folded To Roof	lit. 1,173 (1,153 with sunroof)
Seating Capacity	persons	5
Kerb Weight	kg	1,575
Towing Capacity (Braked)	kg	1,270
TRANSMISSION		
Gear Ratio	D Range (Lineartronic)	3.601 - 0.513
	Reverse	4
Final Drive Axle Ratio	4	
CHASSIS		
Suspension (4-Wheel Independent)	Front	MacPherson-Type Struts
	Rear	Double Wishbone Type
Brakes	Front	Ventilated Disc Brake
	Rear	Ventilated Disc Brake
Tyre/Wheel Size	225/55R18, 18 X 7J	

¹¹ MPG figures are EU test figures for comparative purposes and may not reflect real driving results. There is a new WLTP test used for fuel consumption and CO₂ figures. Only compare fuel consumption and CO₂ figures with other cars tested to the same technical standard. The fuel consumption you achieve in real life conditions and CO₂ produced will depend upon a number of factors including accessories fitted (post-registration), variations in weather, driving styles and vehicle load etc. Fuel consumption and CO₂ emissions: According to EC 715/2007-2018/1832.

¹² Measured by VDA (V211, V212 & V214). E & O.E.



The service intervals for the SUBARU XV e-BOXER are every 12 months / 12,000 miles, whichever comes sooner.

†The SUBARU XV e-BOXER is covered by a 3 Year / 60,000 miles (whichever is sooner) Manufacturer's Warranty (bumper to bumper). ^The Lithium-ion Traction Battery is covered by an 8 Year / 100,000 miles (whichever is sooner) Warranty. Bodywork is covered by a 12 year Anti-Corrosion Warranty and paintwork is covered by a 3 Year / 60,000 miles (whichever is sooner) Warranty. Added reassurance is provided by a comprehensive 3 Year Recovery and Assistance package valid in the UK and Europe. For general terms and conditions visit SUBARU.co.uk.

Technical data and equipment based on the latest information available at the time of printing. SUBARU (UK) Ltd reserves the right to make changes at any time, without notice, in colours, materials, design, prices, equipment and specifications and to discontinue models. Customers are advised to consult their SUBARU dealer on the precise details of warranties / guarantees and vehicles available for sale. Models specified are strictly subject to availability. Owing to the limitations of printing processes, the colours reproduced may not exactly match product colours. The contents of this brochure are the copyright of SUBARU (UK) Ltd and may not be copied or displayed for commercial purposes without the express permission of SUBARU (UK) Ltd. © SUBARU (UK) Ltd. E & O.E.

For details of your nearest SUBARU dealer visit SUBARU.co.uk.

3 YEAR
OR 60,000 MILES
WARRANTY[†]

8 YEAR
E-BOXER BATTERY
WARRANTY[^]